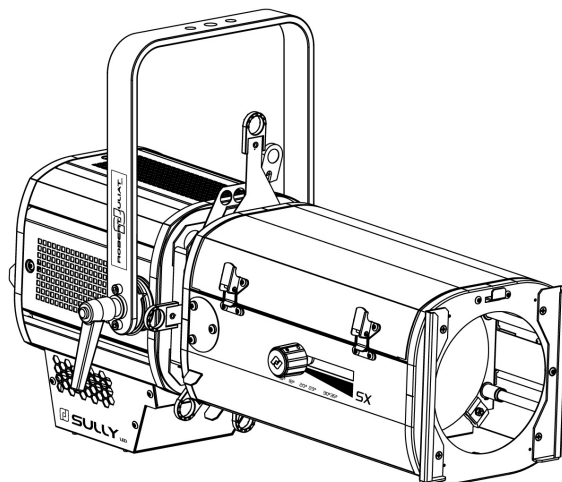


SULLY 650SX

LED PROFILE SPOT



REF	Standard	North American
28 - 54°	653SX	653CSX
16 - 35°	654SX	654CSX
11 - 26°	651SX	651CSX

115W LED PROFILE SPOT

User's manual:



For more information and updates:
www.robertjuliat.com

Included:



V1

VALIDATION: 17/12/20



ROBERT JULIAT

DN41202300 (EN)

1 User's instructions

GENERAL INSTRUCTIONS

1. Not for residential use.
2. These fixtures must only be serviced by a qualified technician.
3. In addition to the instructions indicated on this page, relevant health and safety requirements of the appropriate EU Directives must be adhered to at all times.
4. This fixture is in compliance with section 17 - Lighting appliance for theatre stages, television, cinema and photograph studios. Standards NF EN 60598-1, NF EN 60598-2-17, Low Voltage Directive 2014/35/UE & EMC Directive 2014/30/UE.
5. This fixture is rated as IP20, and is for indoor use only.

FIXTURE

6. Ensure fixture is correctly mounted on an appropriate support.
7. Protection screens and lenses must be replaced in the event of any damage, such as cracks or deep scratches, since these might reduce performance.
8. When hung or flown the fixture must be secured by an additional hanging accessory (such as a safety cable or bond) of suitable length.
9. Safety bonds or cables must be securely attached to the back of the fixture and be as short as possible, or rolled up as necessary, to minimise travel distance should the fixture be dislodged.
10. Movable accessories (scroller, etc.) must also be secured with a suitable safety cable or bond at the front of the fixture.
11. The combined weight of both the fixture and the accessories must be considered when choosing the load-bearing capability of safety cable or bond.
12. Do not open lighting fixture when the source is on.
13. WARNING: LED source become hot during use. Allow fixture to cool before servicing.
14. Do not tamper with design of fixture nor any of its safety features.
15. Tighten electrical mains cable connections regularly and replace with one of identical specification if damaged.
16. Use only with correct power supply.

VENTILATION

17. Keep well away from flammable material.
18. Not for outdoor use. Do not cover. Do not permit fixture to get wet.
19. To avoid overheating, do not obstruct air vents.
20. Ensure any cooling fans are in correct working order. If fans are not working, turn fixture off immediately and service as necessary.

CLEANING

21. Do not touch the LED source with your fingers.
22. To clean the optical parts, use a soft cloth in combination with distilled water or isopropyl alcohol recommended for coated optics. Do not use any cleaning product that contains solvents or abrasives, as these can cause surface damage. Dry with a soft lint-free cloth.
23. Regularly remove dust with a soft lint-free cloth.
24. If the fixture has filters, they must be cleaned frequently.

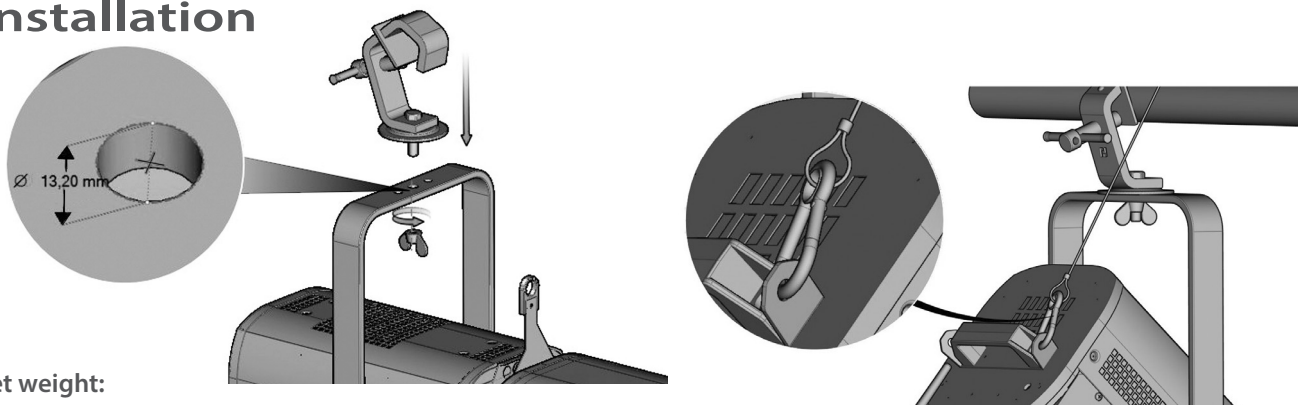
POWER SUPPLY

25. Disconnect from the mains before servicing.
26. Mains connection only. Do not connect to "electronic output" such as dimmer.
27. Ensure power supply circuit breakers, always remain accessible.

PLEASE NOTE

This product has been built to conform to European standards relating to professional lighting equipment. Any modification made to our products will void the manufacturers' warranty.

2 Installation



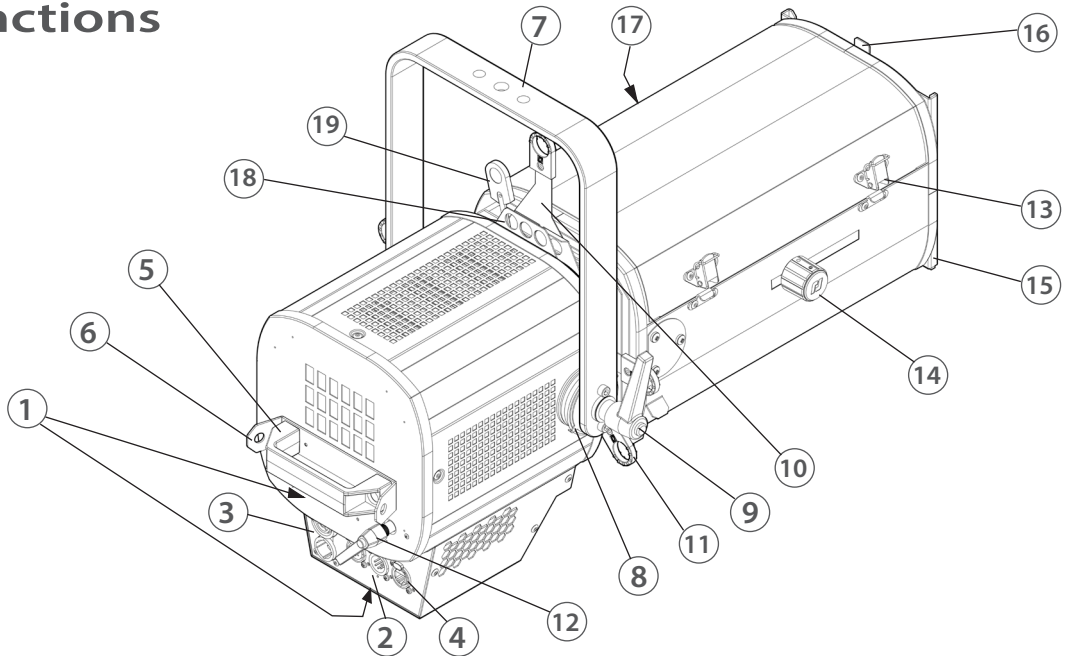
Net weight:

653SX = 12.2 kg (26.8 lbs)

654SX = 13.6 kg (29.9 lbs)

651SX = 13.9 kg (30.6 lbs)

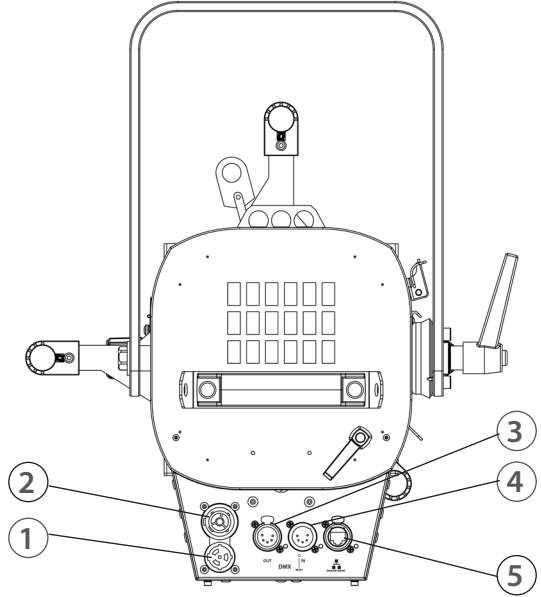
3 Functions



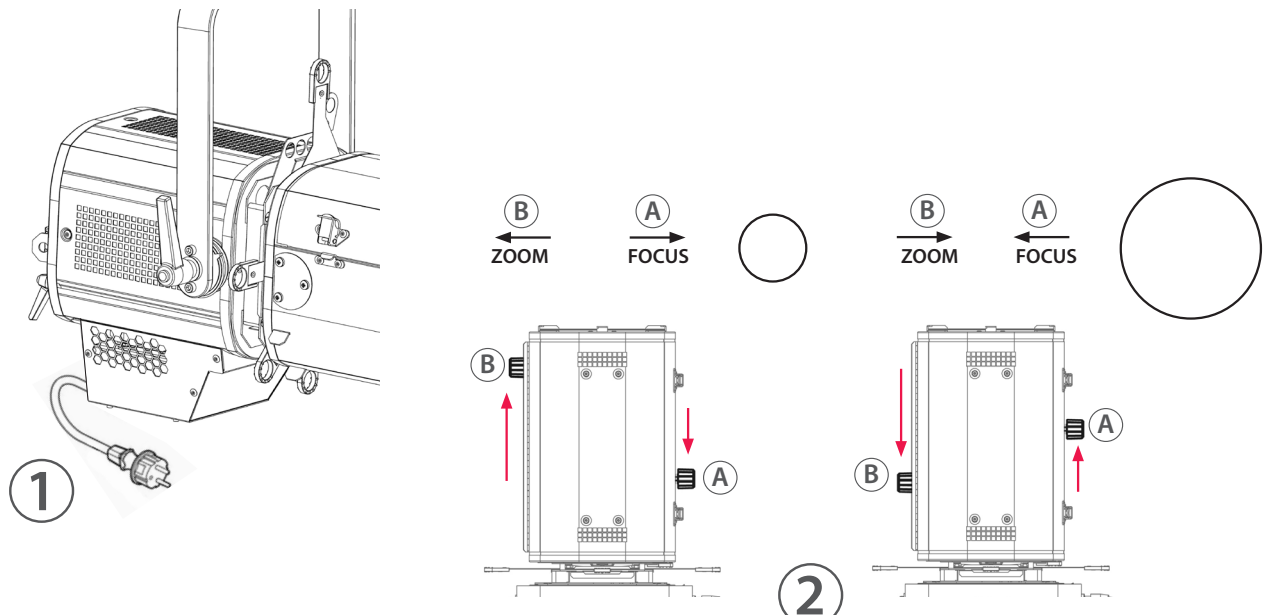
Description	
<ul style="list-style-type: none"> 1. Identification plates 2. Data connector (IN and OUT) 3. Power connector (IN and OUT) 4. RJ45 network connector 5. Handle 6. Safety cable attachment point 7. Hanging yoke 8. Tilt index 9. Tilt locking handle 10. Shutters 	<ul style="list-style-type: none"> 11. Shutter locking system 12. Lens tube rotation locking button 13. Lens tube access 14. Zoom adjustment 15. Front slot for accessories and gel frame holder 16. Front slot locking system 17. Focus adjustment 18. Gobo holder 19. Iris

4 Electrical / Data connections

1	Power input	Connector: Neutrik® powerCON TRUE1 TOP Max. 16A. Power input: 100 => 240V 50/60Hz. Must be connected directly to AC power. Do not connect to dimmer power Power consumption: @ 230V 50Hz = 0.7A/130W @ 120V 60Hz = 1.15A/135W @ 100V 60Hz = 1.40A/135W
2	Power output	Connector: Neutrik® powerCON TRUE1 TOP Max. 8A. Daisy chain – Maximum quantity of unit on the same power line: 22 units @ 230V/16A 12 unit @ 120V/15A 10 unit @ 100V/15A
3	Data Out	Connector: XLR 5-pin
4	Data In	Connector: XLR 5-pin / Protocol: USITT DMX 512-A RDM
5	Ethernet	Connector: RJ45 / Protocol Art-Net, sACN + web interface



5 Operation



- 1 Switch on the profile by connecting power cable.
- 2 The light beam zoom and focus can be set by using the control knobs A & B.
- 3 Beam adjustments can also be made by using the shutters C and the zoom rotation D.

6 DMX Chart

DMX address	Mode 1: Dimmer8B	Mode 2: Dimmer16B	Mode 3: Profile8B	Mode 4: Profile16B
1	Dimmer	Dimmer	Dimmer	Dimmer
2		Dimmer fine	Strobe duration	Dimmer fine
3			Strobe speed	Strobe duration
4			Response time	Strobe speed
5			Control mode	Response time
6				Control mode

Strobe duration		
Range min	Range max	Function
0	0	Strobe OFF
1	255	Strobe ON - 1 ms → 20 ms

Strobe speed		
Range min	Range max	Function
0	255	Frequency: 0,1 Hz → 10 Hz

Response time		
Range min	Range max	Function
0	0	OFF
1	255	Dimmer timing: 0,1 s → 4 s

Control mode*		
Range min	Range max	Function
0	0	
1	225	Not used

(*) Function activated after 5 seconds
 - needs to go back to zero to activate second function.

PLEASE NOTE

This product has been built in conformity with the European Standards in relation to professional lighting equipment. Any modification made to our product will void the manufacturers' warranty.

Robert Juliat reserves the right to change or alter any of the items detailed on this page, to increase or improve manufacturing techniques without prior notice.